

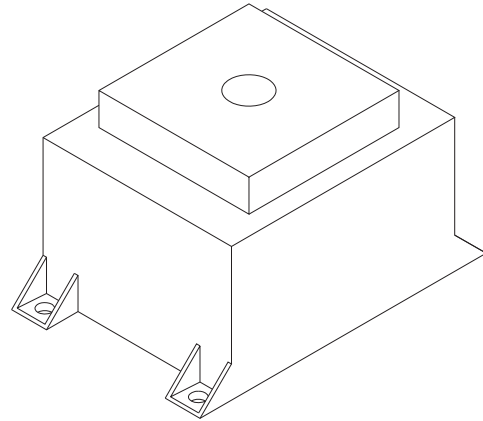


elektrosistem



INTERMITTENT ACOUSTIC SIGNALLER MODEL

“CMI”



The intermittent multivoltage acoustic signaller has been designed to increase operators safety during vehicles reverse running.

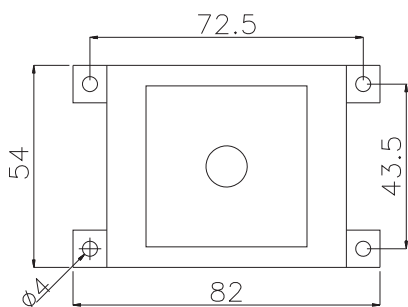
The acoustic signalling is used to warn people around the vehicle of possible danger.

This part is included among the safety devices provided for by the law provision 626/94.

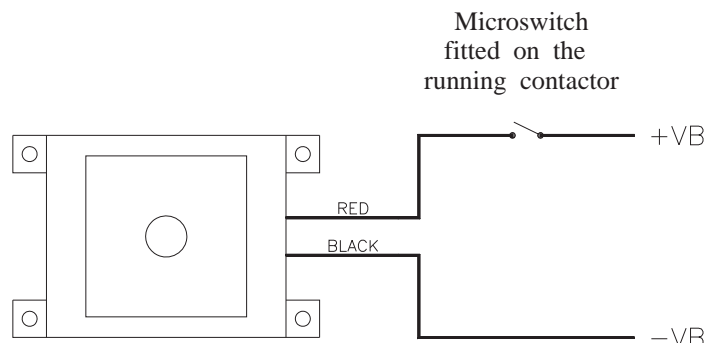
CMI MODELS

MODEL	REF. NUMBER	RUNNING VOLTAGE	FEATURES
CMI-02	30.050115	12/120V Multivoltage	Intermittent acoustic signaller
BUZZER	50.204002	12/24V	Intermittent acoustic signaller

CMI CONNECTION AND DIMENSIONS



h=47.5



**!!! NEVER SHUNT
TO CONTACTOR FOR RUN**